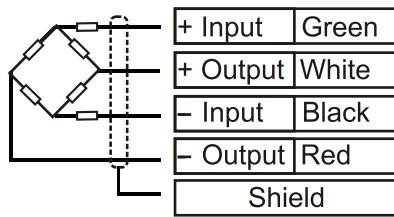


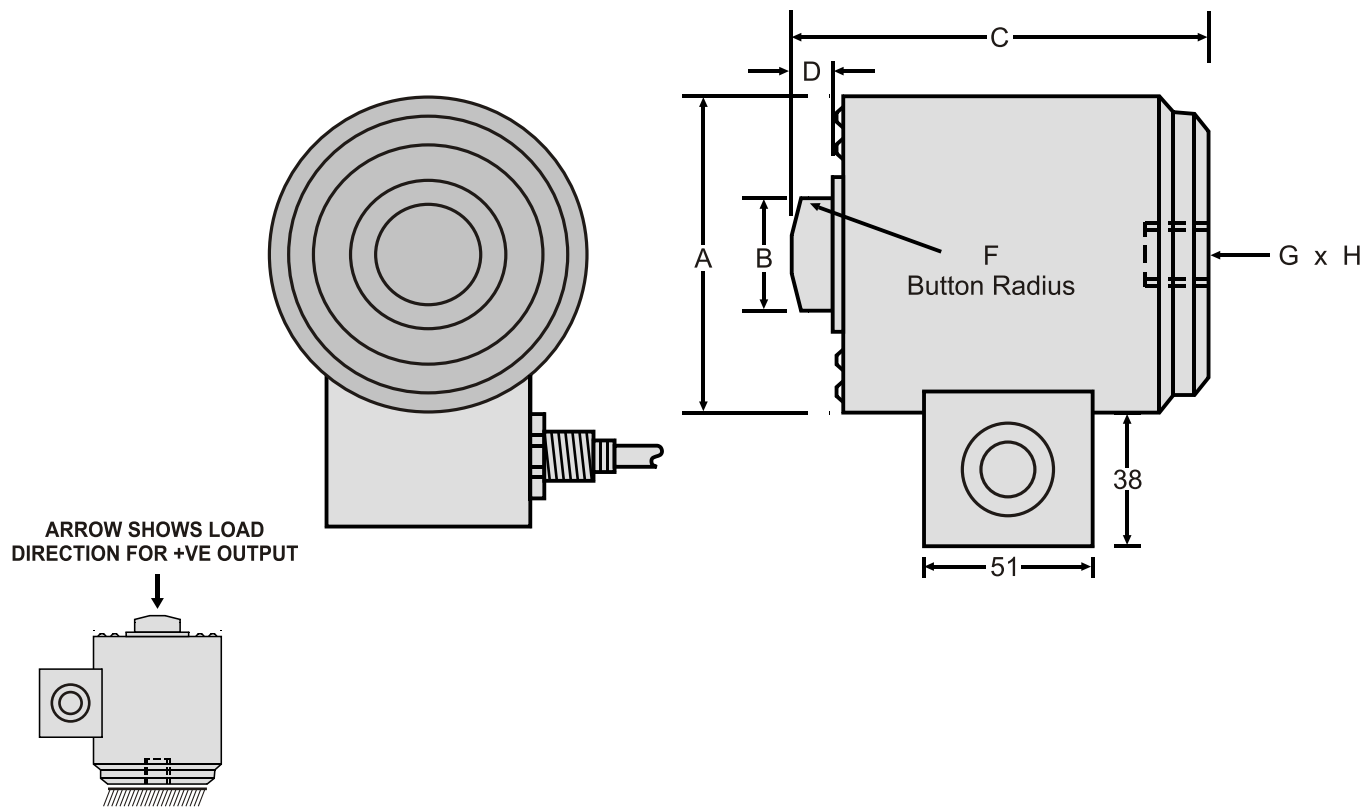
ELECTRICAL TERMINATION



4 CORE SCREENED CABLE

CAPACITY Tf	A	B	C	D	E	F	G	H	Cable mtrs
5 to 30	73	32	82	8	39	150	M12 x 1.25	8	20
45	114	58	127	12.5	62	150	M20 x 1.50	14	20
75, 100	140	80	184	26	87	430	M20 x 1.50	19	20

All dimensions are in mm.



ORDER INFORMATION :

ADI ARTECH is dedicated in maintaining adequate inventories of its Load Cells to provide the best service in the industry.

Order by the model number and indicate the capacity required.

Specifications are subject to change without notice

	Manufactured by :	917/1, G.I.D.C. ESTATE, MAKARPURA, VADODARA - 390 010 (INDIA)
	ADI ARTECH	Phone : 2655083/2651023
	TRANSDUCERS PVT. LTD.	FAX : (91) 0265-2638751
	A Joint venture with ARTECH INDUSTRIES INC., U.S.A.	E-mail : sales@adiartech.com artechad1@sancharnet.in
		Website : www.adiartech.com

QUALITY * PERFORMANCE * SERVICE
“A PREFERRED NAME IN LOAD CELL TECHNOLOGY”